



US00D721287S

(12) **United States Design Patent**
Dugas et al.

(10) **Patent No.:** **US D721,287 S**

(45) **Date of Patent:** **** Jan. 20, 2015**

(54) **GROUND PENETRATING RADAR DEVICE**

(71) Applicant: **Geophysical Survey Systems, Inc.**,
Salem, MA (US)

(72) Inventors: **Roger Arthur Dugas**, Chester, NH
(US); **Leonid Galinovsky**, Waban, MA
(US); **David Cist**, Winchester, MA (US);
Kenneth Corcoran, North Chelmsford,
MA (US)

(73) Assignee: **Geophysical Survey Systems, Inc.**,
Salem, NH (US)

(**) Term: **14 Years**

(21) Appl. No.: **29/475,752**

(22) Filed: **Dec. 6, 2013**

(51) **LOC (10) Cl.** **10-04**

(52) **U.S. Cl.**
USPC **D10/47**

(58) **Field of Classification Search**
USPC D10/47
See application file for complete search history.

(56) **References Cited**

U.S. PATENT DOCUMENTS

8,106,660 B1 * 1/2012 Merewether et al. 324/326
D684,871 S * 6/2013 Lintner D10/47

D700,073 S * 2/2014 Lintner D10/47
D700,074 S * 2/2014 Lintner D10/47
2012/0242341 A1 * 9/2012 Olsson et al. 324/326
2012/0262325 A1 * 10/2012 Steinway et al. 342/22
2014/0022106 A1 * 1/2014 Duvoisin et al. 342/22
2014/0285375 A1 * 9/2014 Crain 342/25 A

* cited by examiner

Primary Examiner — Antoine D Davis

(74) *Attorney, Agent, or Firm* — Michael J. Feigin, Esq.;
Feigin & Associates, LLC

(57) **CLAIM**

The ornamental design for the ground penetrating radar
device, as shown and described.

DESCRIPTION

FIG. 1 shows a top plan view of the ground penetrating radar
device.

FIG. 2 shows a front side elevation view thereof.

FIG. 3 shows a left side elevation view thereof, the right side
being a mirror image thereof.

FIG. 4 shows a back side elevation view thereof.

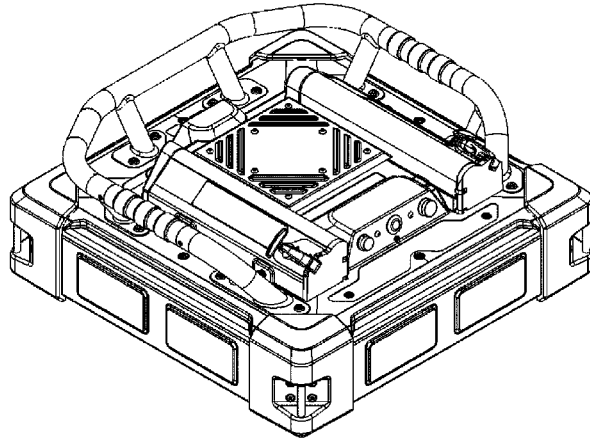
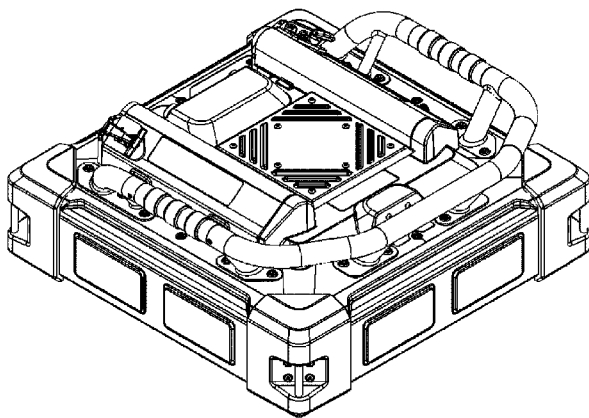
FIG. 5 shows a bottom plan view thereof.

FIG. 6 shows a top and right side perspective view thereof.

FIG. 7 shows a bottom and right side perspective view
thereof, the reverse side being a mirror image thereof; and,

FIG. 8 shows a top and left side perspective view thereof.

1 Claim, 8 Drawing Sheets



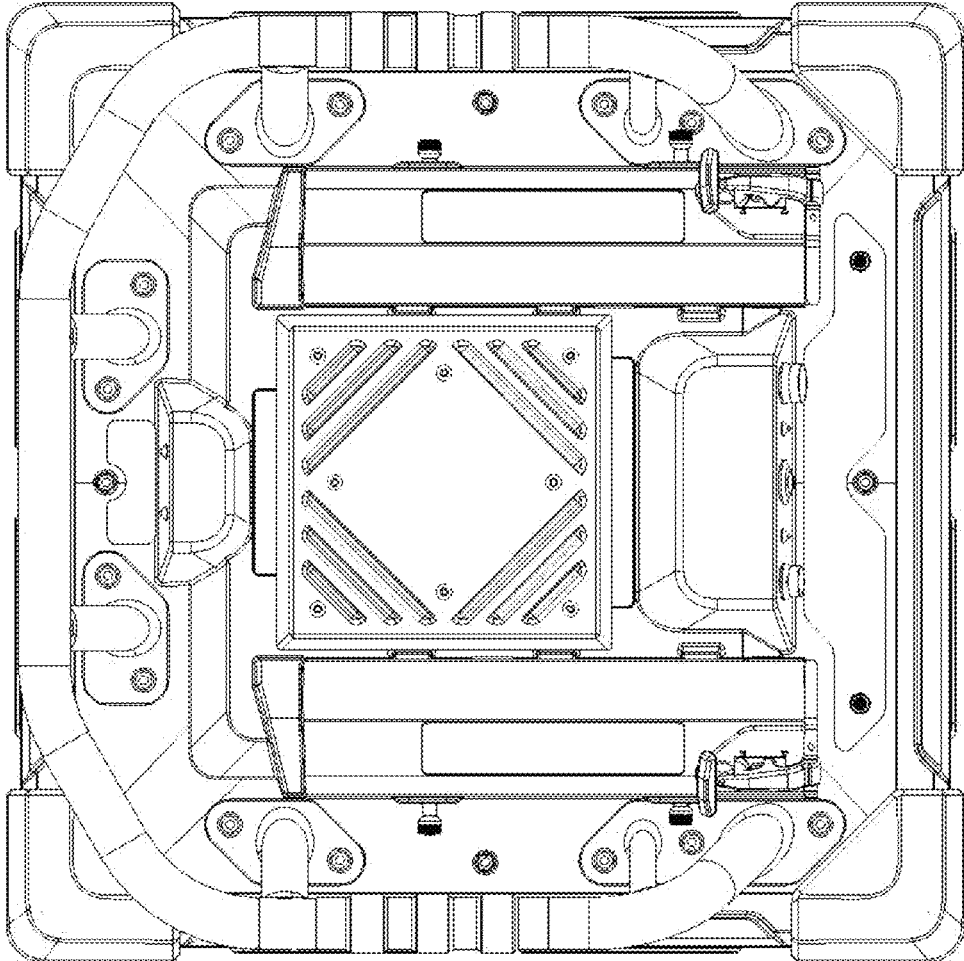


FIGURE 1

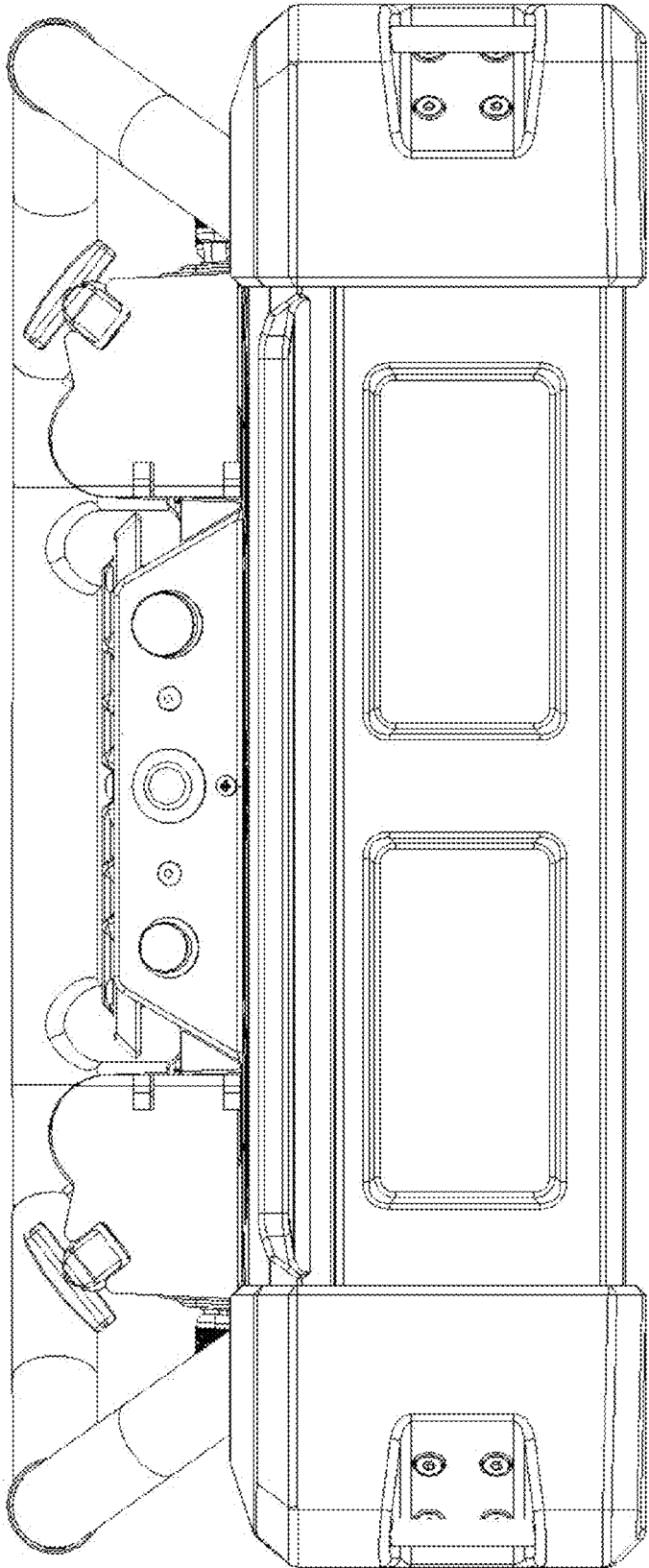


FIGURE 2

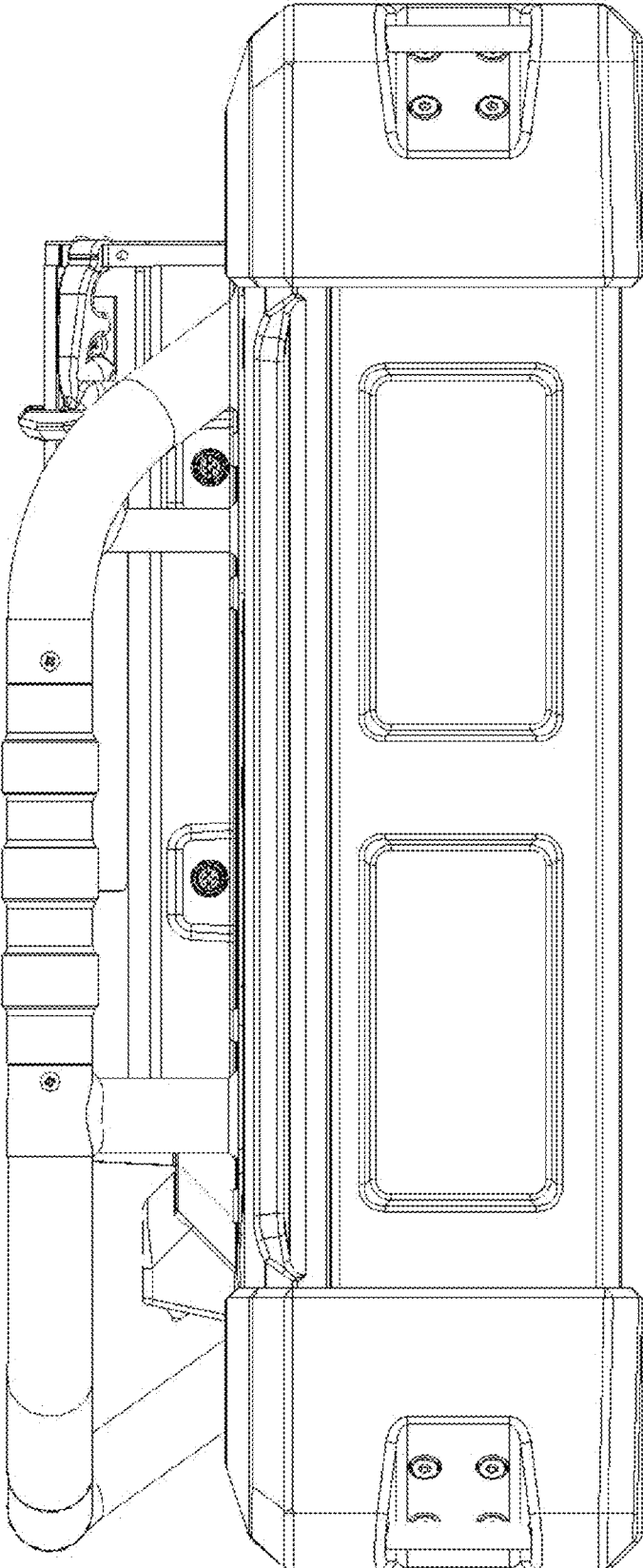


FIGURE 3

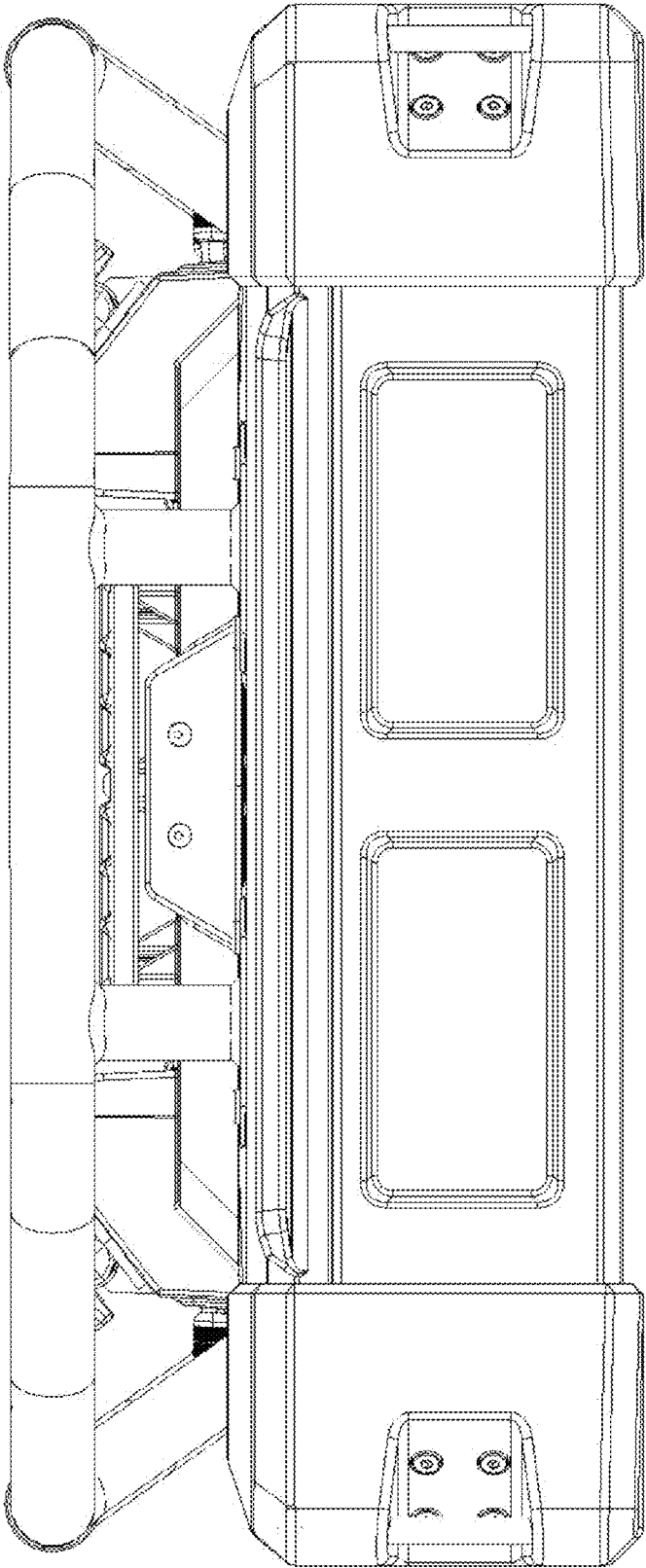


FIGURE 4

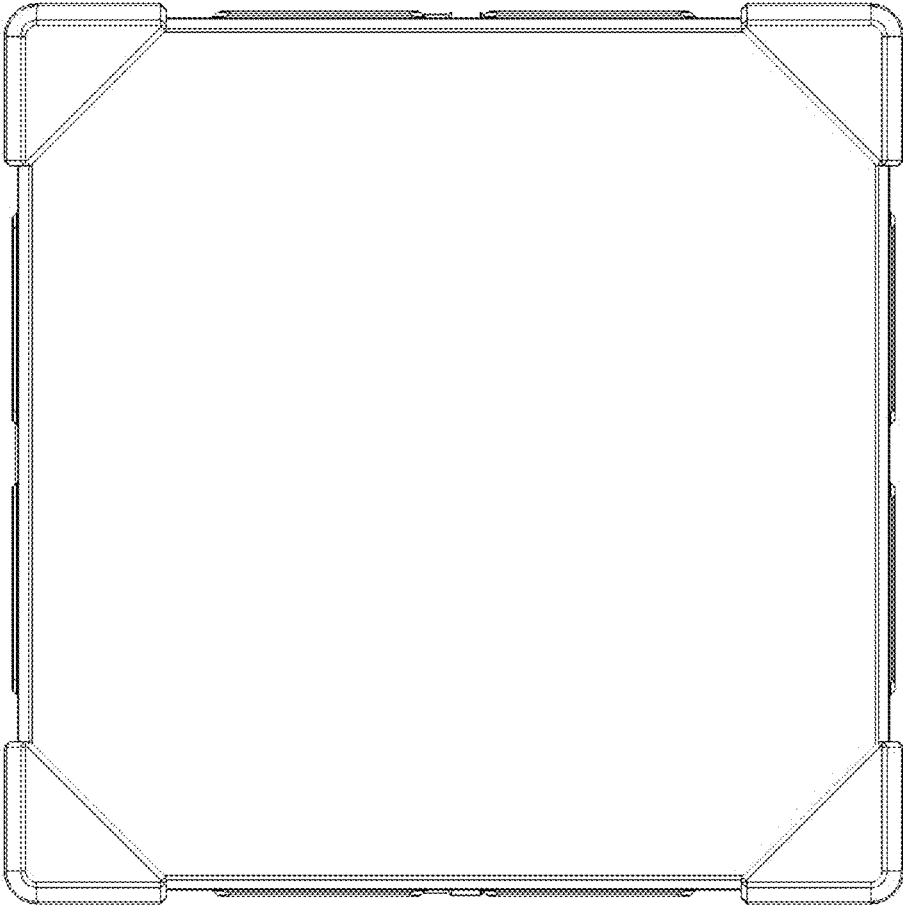


FIGURE 5

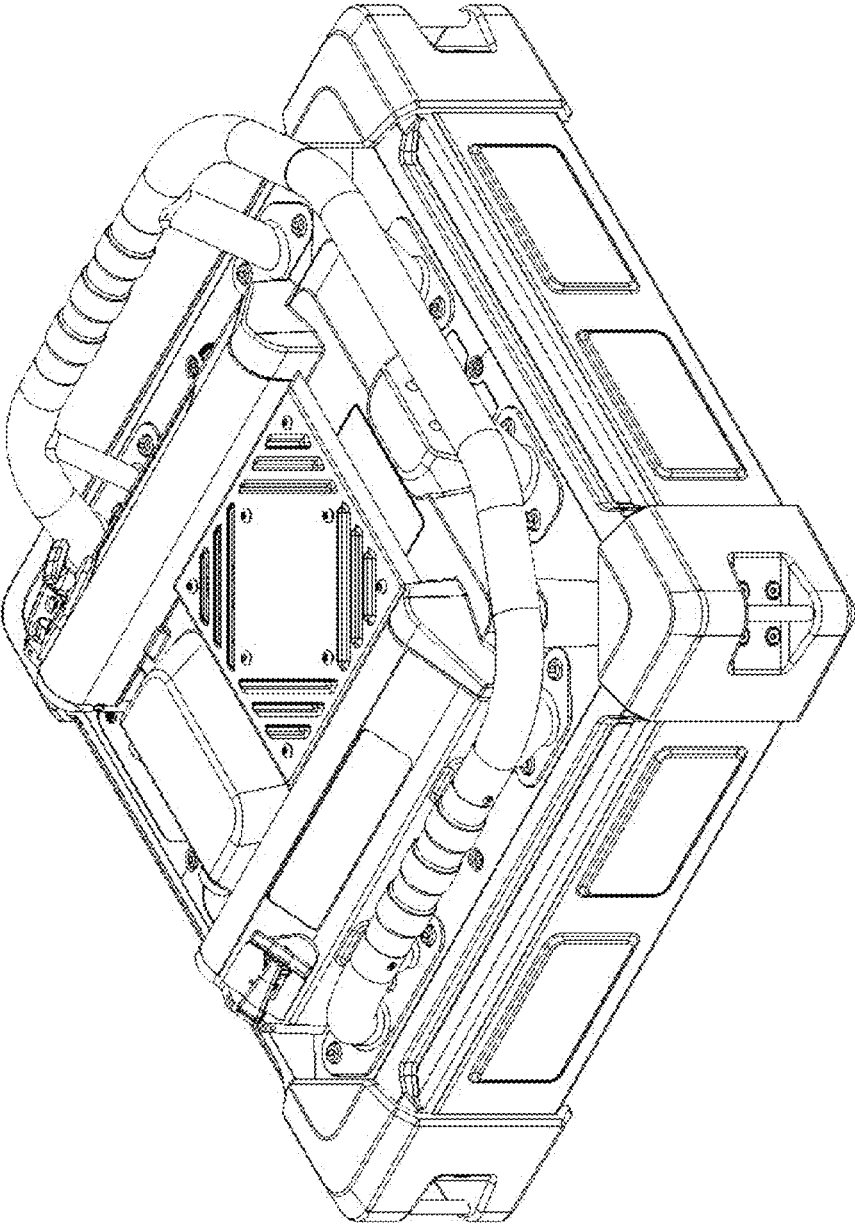


FIGURE 6

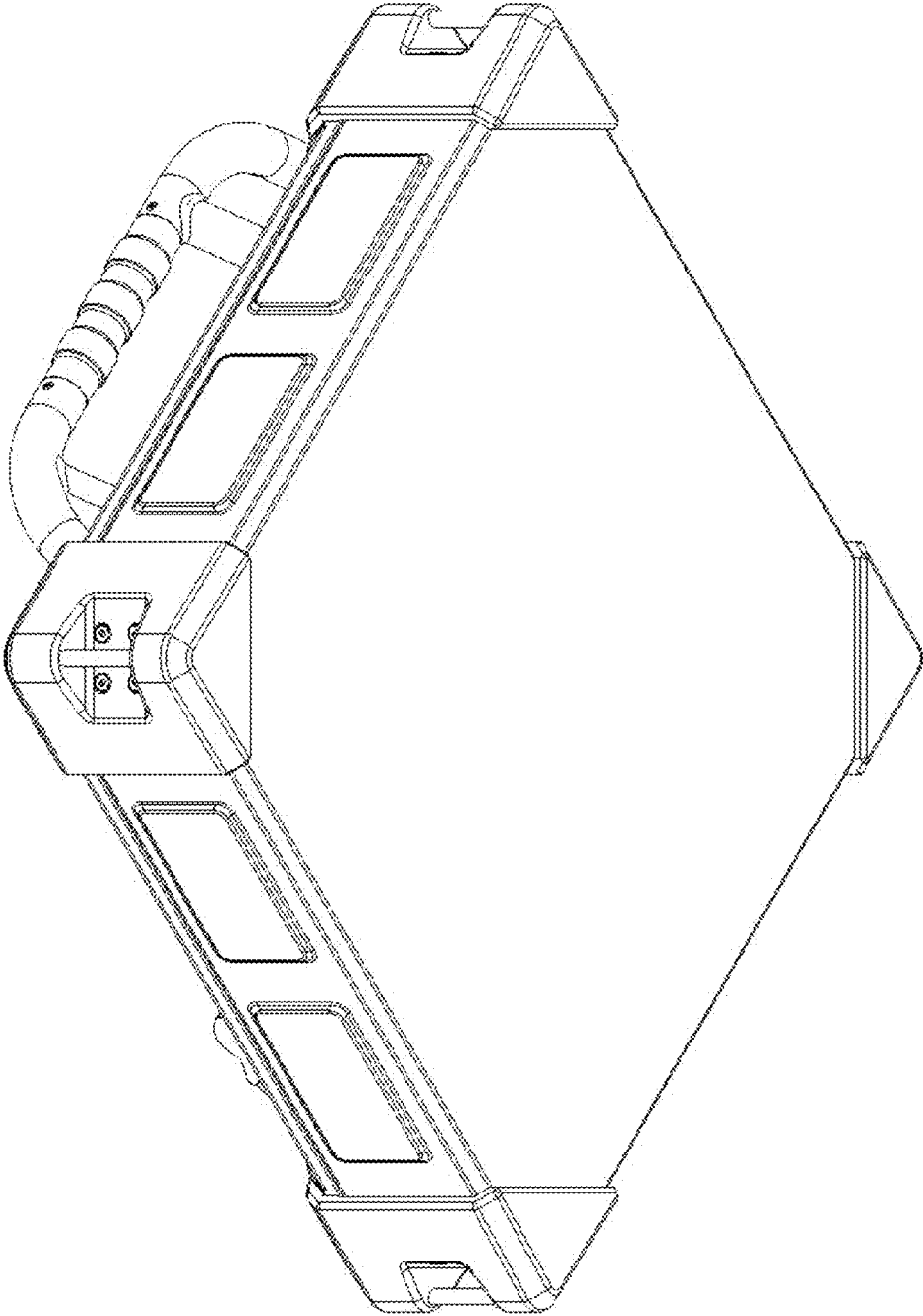


FIGURE 7

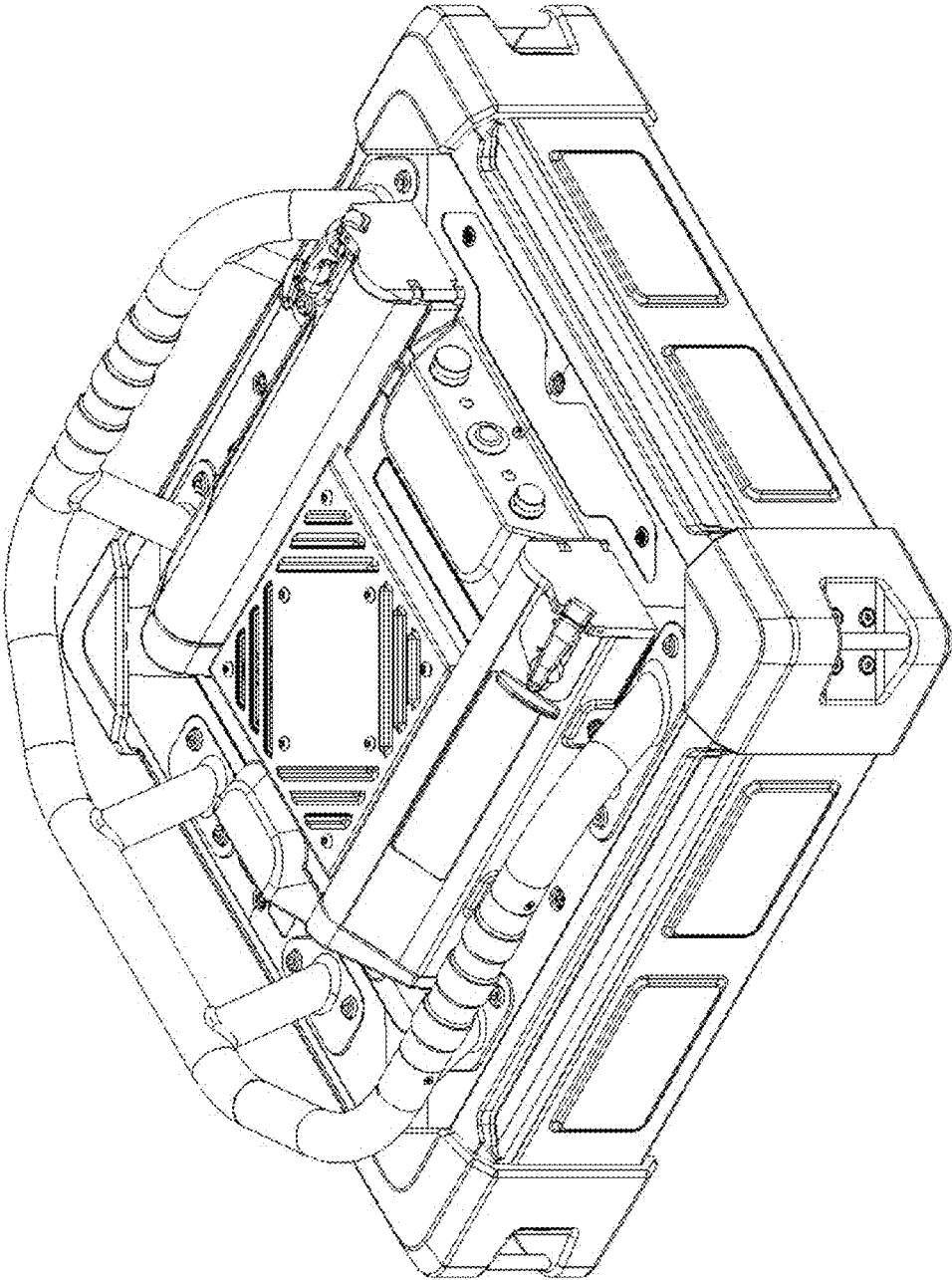


FIGURE 8